

NOTE:
** SEE BOLD TEXT BELOW FOR ADA DIMENSIONS.

INSTALLATION INSTRUCTIONS:

- A- ROUGH-IN FOR THE FOLLOWING:
 - 7-1/2" RECESSED GASKET FLANGE (1).
 - FLUSH VALVE INLET 1" NPT (2).
 - FIXTURE FLUSHING INLET 1-1/2" NPT (3).
- B- FOR DURA-WARE FLUSH VALVE ACCESS PANELS (4), FOR CONCEALED FLUSH VALVE INSTALLATION REFER TO DRAWING #9908-399-001.
- C- REMOVE ACCESS PANELS (5) AND SET FIXTURE (6) ONTO FLOOR WASTE CONNECTION (1) ALIGNING FIXTURE MOUNTING POINTS (7) WITH THROUGH WALL OPENINGS ON OPTIONAL -SW WALL SLEEVE OR OPENINGS PROVIDED BY INSTALLER.
- D- FROM CHASE SIDE OF WALL THREAD 1/2"-13 UNC STUDS (8), PROVIDED ONTO MOUNTING POINTS (7) ENSURING A MINIMUM 1/2" ENGAGEMENT.

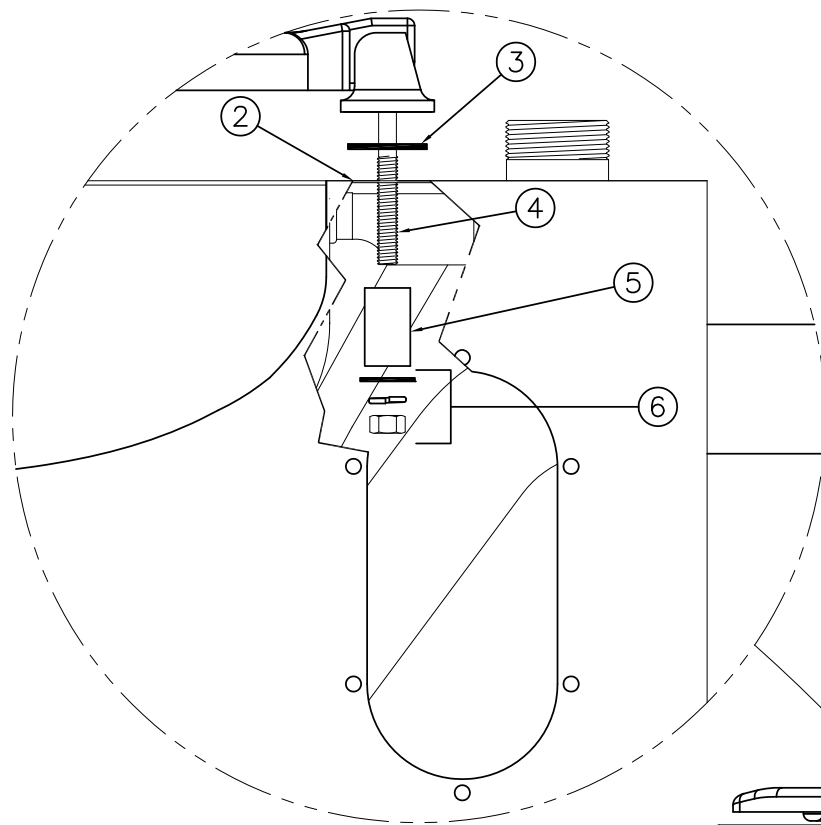
**-W-FVR WALL SUPPLY, FLUSH VALVE RIGHT SHOWN
-W-FVL WALL SUPPLY, FLUSH VALVE LEFT OPPOSITE
VIEW IS FROM REAR OF FIXTURE**

- E- PLACE WASHERS (9) & NUTS (10) ONTO STUDS (8) FROM CHASE SIDE AND TIGHTEN TO 60 FT. LBS.
- F- FLUSH SUPPLY LINE SUPPLY LINE BEFORE MAKING SUPPLY CONNECTION (3). MOUNT FLUSH VALVE PER MANUFACTURER'S RECOMMENDATIONS.

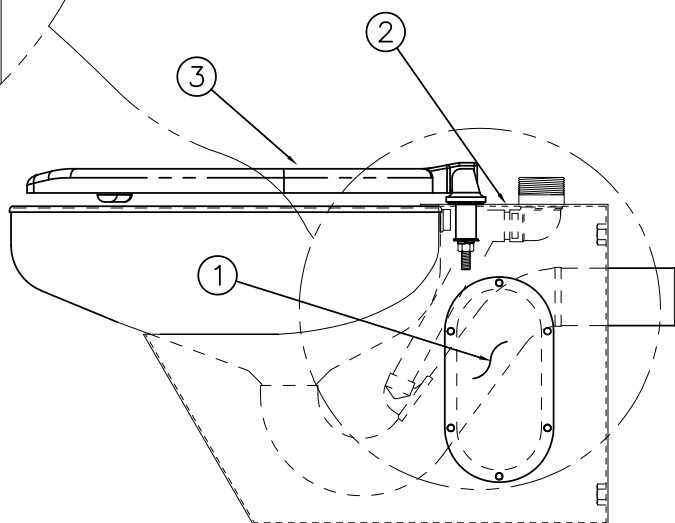
NOTE: FOR ADA UNITS REFER TO ADA ACCESSIBILITY GUIDELINES FOR COMPLETE INSTALLATION REQUIREMENTS. FLUSH VALVE MUST BE SUPPLIED WITH AN ADA COMPLIANT ACTUATOR. MAXIMUM CONTROL HEIGHT IS 44" ABOVE FINISHED FLOOR.

ALL VERTICAL DIMENSIONS INDICATED ** INCREASE PROPORTIONATELY WITH OPTIONAL -LPFS LESS PUNCHING FOR HINGED SEAT. 16-3/4" FLOOD RIM RIM HEIGHT BECOMES 17" AFF TO MEET ADA.

WHITEHALL MANUFACTURING P.O. BOX 3527 Industry, CA 91744 15125 Proctor Ave Industry, CA 91746 (626) 968-6681 FAX (626) 855-4862	TITLE SIPHON JET, REAR MOUNT, ON-FLOOR, FLOOR OUTLET #2125A-3-RM		
	MANUFACTURE DATE AUGUST 2008 TO PRESENT	DATE ISSUED 02/10/12 DATE REVISED	DRAWING NUMBER 9908-413-HW1



DETAIL -A



INSTALLATION INSTRUCTIONS- HINGED SEAT AFTER MOUNTING FIXTURE TO WALL

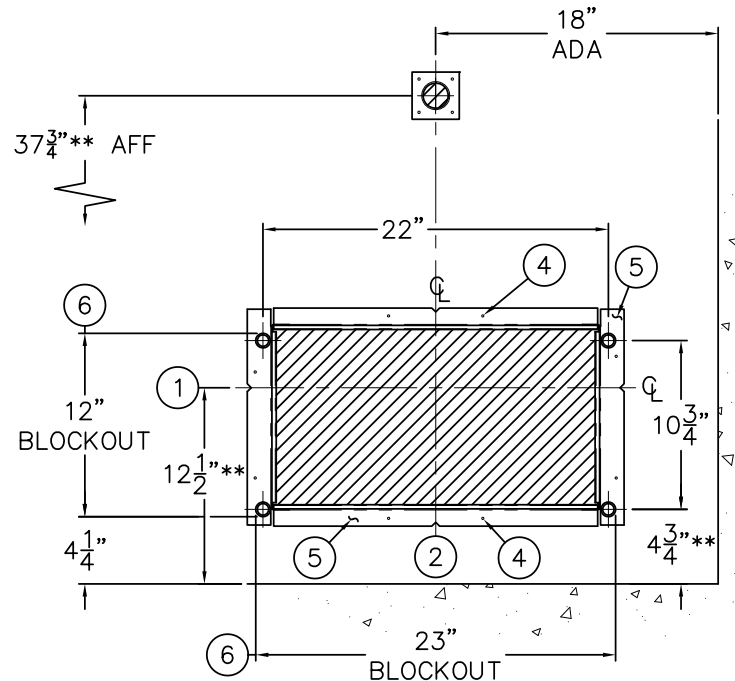
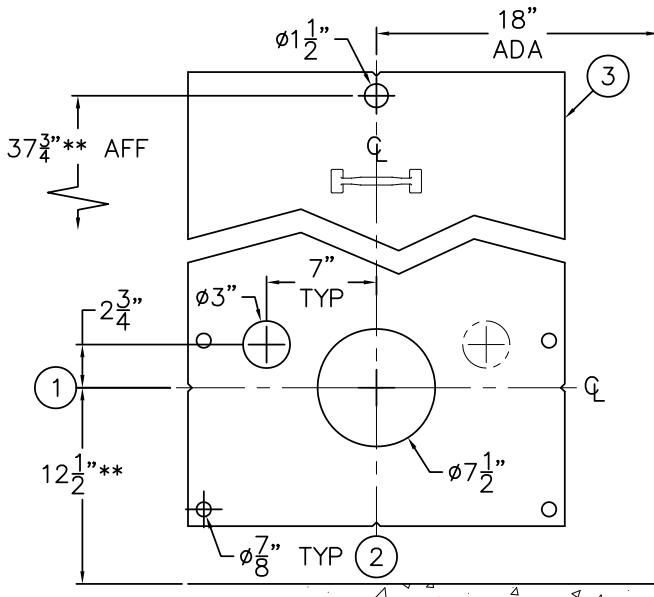
- A- REMOVE ACCESS PANEL (1) FROM BOTH SIDES OF HOUSING (2).
- B- PLACE RUBBER GASKET (3) ONTO SEAT'S THREADED RODS (4).
- C- POSITION SEAT ONTO TOILET HOUSING (2) AND SLIDE SEAT THREADED RODS (4) THROUGH SPACER (5).
- D- ASSEMBLE HARDWARE (6) AS SHOWN IN DETAIL "A".
- E- ENSURE ALL HARDWARE IS TIGHT AND REPLACE ACCESS PANELS (1) TO HOUSING (2).

ACORN ENGINEERING COMPANY
 P.O. BOX 3527 Industry, CA 91744
 15125 Proctor Ave Industry, CA 91746
 (626) 336-4561 FAX (626) 961-2200

TITLE -HS HINGED SEAT INSTALLATION DETAIL MERIDIAN TOILETS		
MANUFACTURE DATE APRIL 2008 TO PRESENT	DATE ISSUED 04/08/08	DRAWING NUMBER 9927-527-001
	DATE REVISED	



ALL VERTICAL DIMENSIONS INDICATED
 ** INCREASE 1/4" WITH OPTION -LPFS
 LESS PUNCHING FOR HINGED SEAT.



OPTIONAL -FVL SHOWN, -FVR IS OPPOSITE

METAL TEMPLATES

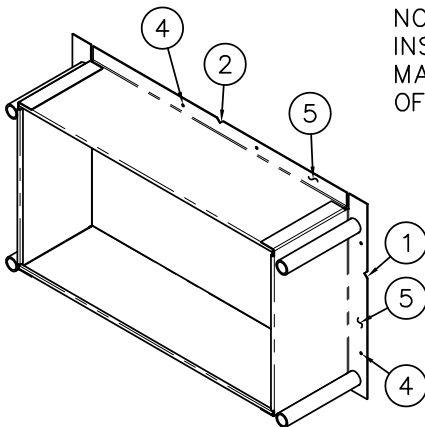
METAL TEMPLATES ARE USED TO LAYOUT REQUIRED WALL OPENINGS FOR SUBSEQUENT FLAME CUTTING OR CORE DRILLING.

- A- MEASURE FROM THE FINISHED FLOOR ON CELL SIDE AND STRIKE A HORIZONTAL CHALK LINE ON THE WALL AT DIMENSIONS SHOWN FOR SIDE NOTCHES ① INDICATING OPTIONAL WALL WASTE OUTLET LOCATED 12-1/2" ABOVE FINISHED FLOOR ON CELL SIDE.
- B- STRIKE A VERTICAL CHALK LINE AT DIMENSIONS SHOWN FOR VERTICAL OR TOP AND BOTTOM NOTCHES ② INDICATING CENTERLINE OF SLEEVE AND FIXTURE TOILET HOUSING.
- C- PLACE TEMPLATE ③ AGAINST WALL ALIGNING VERTICAL AND HORIZONTAL NOTCHES AND MARK REQUIRED WALL OPENINGS.

WALL SLEEVE

SLEEVES ARE INSTALLED IN FORMS USING NAIL HOLES ④ PROVIDED OR GROUTED INTO BLOCK WALLS THEREBY BECOMING A PERMANENT PART OF THE WALL.

NOTE: FOR POURED WALL CONSTRUCTION, TEMPORARY BRACING SHOULD BE INSTALLED WITHIN OPENING TO PREVENT DEFORMATION TO SLEEVE WHICH MAY OCCURE DURING POUR. DO NOT POUR CONCRETE DIRECTLY ON TOP OF WALL SLEEVE.



- A- INSTALL SLEEVE WITH FLANGE ⑤ ON CHASE SIDE OF WALL.
- B- SIDE NOTCHES ① INDICATE OPTIONAL WALL WASTE OUTLET HEIGHT LOCATED 12-1/2" ABOVE FINISHED FLOOR ON CELL SIDE.
- C- VERTICAL OR TOP AND BOTTOM NOTCHES ② INDICATE CENTERLINE OF SLEEVE, WASTE AND FIXTURE TOILET HOUSING.
- D- USE BLOCKOUT DIMENSIONS SHOWN ⑥ WHEN SLEEVES ARE NOT AVAILABLE.

ACORN ENGINEERING COMPANY
 P.O. BOX 3527 INDUSTRY, CA. 91744
 (626) 336-4561 FAX (626) 961-2200

TITLE 2125A BARIARIC TOILET -MT / -SW WALL SLEEVE		
MANUFACTURE DATE 10/01/08 TO PRESENT	DATE ISSUED 10/09/08	DRAWING NUMBER 9908-414-001
	DATE REVISED 09/29/09	