

# Model S1100

Vertically Mounted Emergency Shower,  
Plastic Showerhead



## SPECIFICATIONS:

Model S1100 is a vertically mounted emergency shower with a plastic showerhead and a 1" stay-open ball valve with a pull rod.

## STANDARD EQUIPMENT:

**Showerhead:** Yellow, ABS plastic 7-3/8" diameter showerhead with a 20 gpm flow regulator. An anti-microbial agent is molded into the ABS material, providing integrated protection.

**Valve:** 1" NPT rough chrome plated brass stay-open ball valve. Unit is provided with a stainless steel actuator arm and a 29" stainless steel pull rod.

**Water Supply:** 1" NPT female threaded brass inlet.

**Universal Sign:** ANSI compliant, vertical identification sign.

**Weekly Test Tag:** A water proof test card to record the date and inspector's name for weekly functional testing of the unit.

Model: S1100



## OPTIONAL ACCESSORIES:

*Additional costs may be incurred*

- AL1 Electric alarm with light and horn
- AL2 Electric alarm with flashing light and horn
- FLW1 Flow switch, single pole
- MS1 MAP (magnetically actuated proximity) switch, for one (1) actuator
- MC2 Modesty curtain for vertical showers
- PR60 60" pull rod
- SV1 1" stainless steel ball valve
- TMV33 Thermostatic mixing valve is ASSE Listed per the ASSE 1071 standard. The tepid output water complies with ANSI Z358.1 standard.



Member of  
U.S. Green  
Building Council

Acorn Safety assumes no responsibility for use of void or suspended data. © Copyright 2010 Acorn Safety, City of Industry, CA, A Division of Acorn Engineering Company. Please visit [www.acornsafety.com](http://www.acornsafety.com) for most current specifications.

Submittal # **S1100**  
[EW] Rev. B 9/15/10

Product carries the following certifications:



Test rating conditions are compliant to ANSI Z358.1-2009



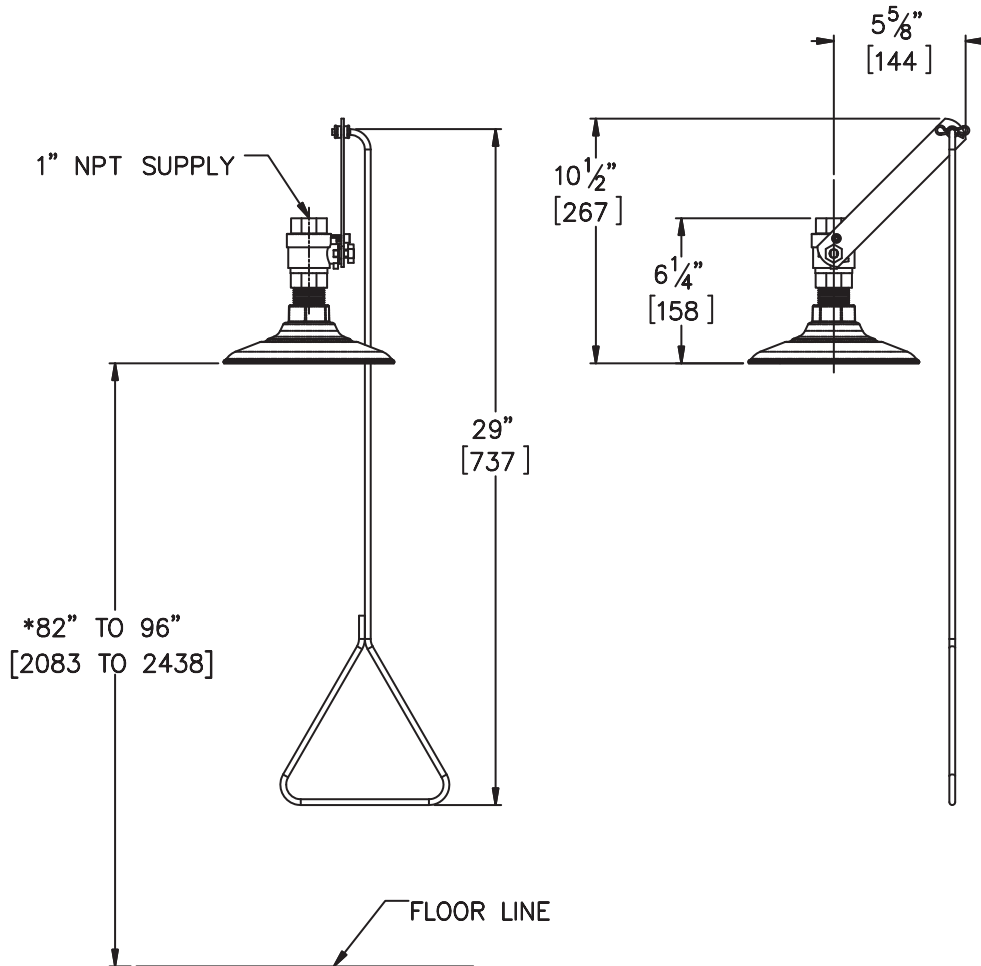
Member of  
Acorn Engineering's  
Family of Companies

ACORN SAFETY  
15125 Proctor Avenue  
City of Industry, CA  
91746 U.S.A.  
Phone 800-591-9372  
626-855-4804  
Fax 626-937-4213  
[www.acornsafety.com](http://www.acornsafety.com)

# TECHNICAL DIMENSIONS

All dimensions are nominal and subject to manufacturer's change without notice. Acorn Safety assumes no responsibility for use of void or suspended data. Dimensions may change with the addition of optional accessories. © 2008 Acorn Safety, a Division of Acorn Engineering Company. Please visit [www.acornsafety.com](http://www.acornsafety.com) for most current specifications.

**Model S1100** : Vertically Mounted Emergency Shower, Plastic Showerhead



**GENERAL NOTES:**

1. ALL DIMENSIONS ARE IN INCHES [MM].
- \*2. ANSI Z358.1 REQUIRES THE SHOWER HEAD TO BE MOUNTED BETWEEN 82"[2083] AND 96"[2438] ABOVE THE FLOOR.

Rough-in # **S1100** Rev. A 11/20/08

*Acorn Safety warrants that its products are free from defects in material or workmanship under normal use and service for a period of one year from date of shipment. Acorn's liability under this warranty shall be discharged solely by replacement or repair of defective material, provided Acorn is notified in writing within one year from date of shipment, F.O.B. Industry, California.*

**SELECTION SUMMARY & APPROVAL FOR MANUFACTURING**

Model Number & Options \_\_\_\_\_ Quantity \_\_\_\_\_

Company \_\_\_\_\_

Contact \_\_\_\_\_ Title \_\_\_\_\_

Signature (Approval for Manufacturing) \_\_\_\_\_ Date \_\_\_\_\_



**800-591-9372**  
or 626-855-4804  
[www.acornsafety.com](http://www.acornsafety.com)